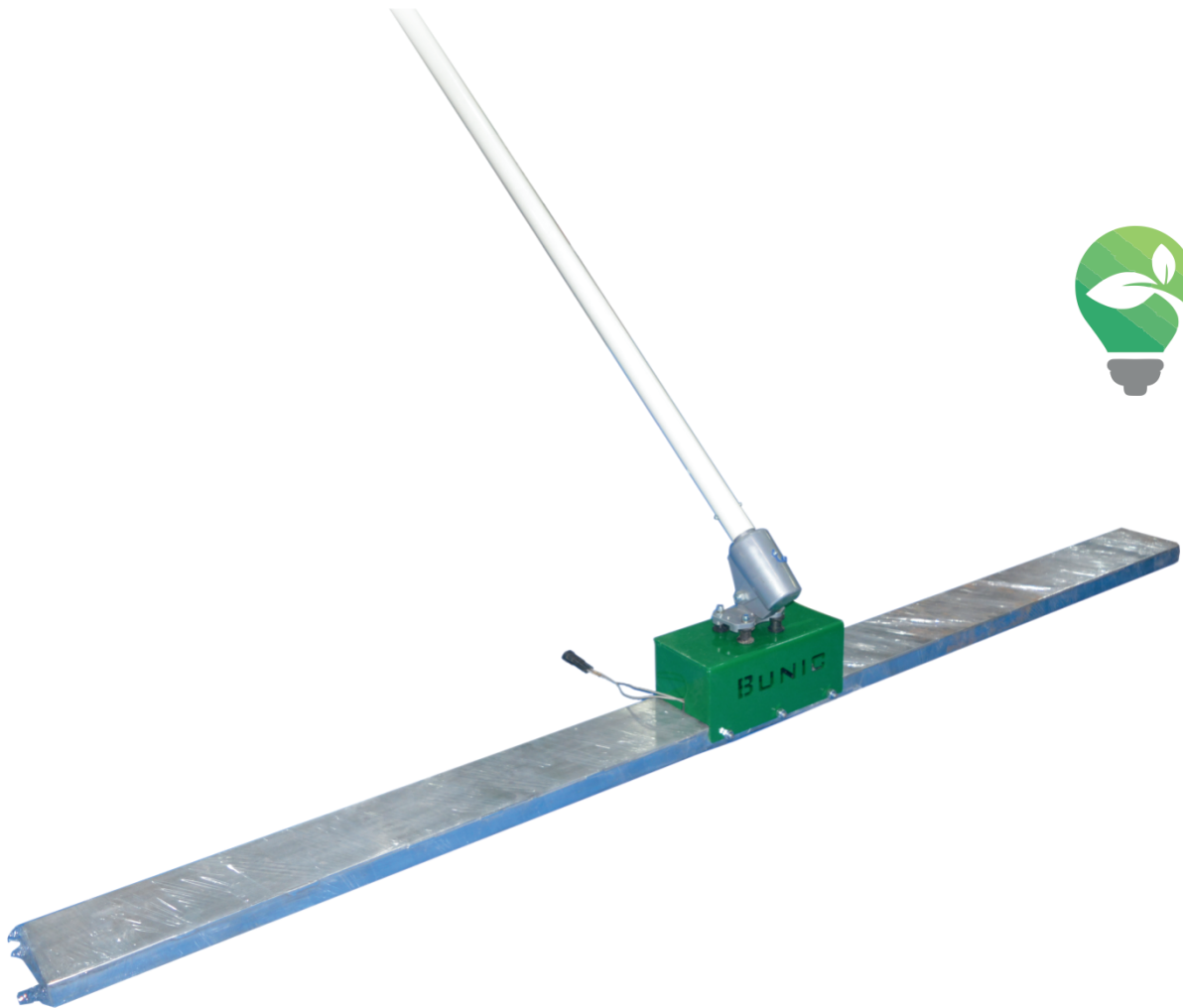


BPSe



CONCRETE POWER FINISHER

Battery Powered Pole Screed



The battery-operated concrete Wet Pole Screed is a further development of the concrete spatula, Fast and efficient way to screed concrete & pushes down aggregates leaving fine surface material for sealing or texturing.

Twist handle blade pitch control for easy forward and reverse passes over the slab, Blade options 1.5m, 2m, 2.5m, 3m • Easy and light to operate with a weight of just 16KG with a 2m blade with the familiar 18-volt battery system. Due to this electric motor, you do not suffer from exhaust fumes.

This makes the machine perfect for use in (small) indoor spaces and contributes to the goal of building as emission-free as possible. Fully adjustable handles for maximum operator comfort and ease of control, A combination of high frequency vibration and curled back edge of the blade profile helps roll back excessive concrete for a perfect level



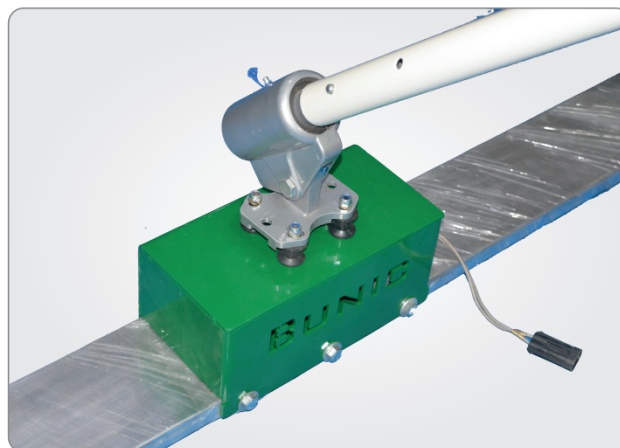
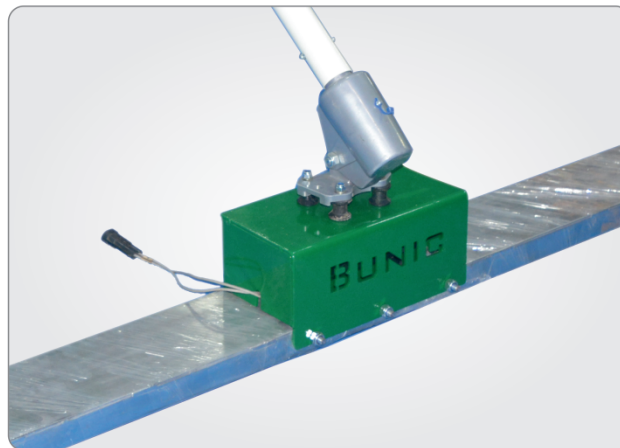
TECHNICAL INFO

Drive unit	12V BLDC 350W
Vibration	2,500-7,000 per min.
Battery charging time	up to 75 min.
Battery operating time	20 Ah with 30 - 50 min. capacity
Working width	2.5 m
Weight	18 kgs

BENEFITS

- Completely cordless processing due to 18V battery system
- Equipped with speed regulator as standard
- Operation 20 Ah battery with 30 to 50 minutes capacity (depending on speed setting)
- Batteries interchangeable with other 12V machines (e.g., cordless vibrators, cordless concrete vibrators)
- Standard delivery with 2 batteries and charger (optional with 3 batteries)

BPS_e



BUNIC EQUIPMENTS PVT LTD

72, Thiruvallur High Road,
Alamadhi, Redhills, Chennai 600 052

M : +91 98415 10958

T : +91 44 43227210

E : bbalaiah@bunicequipments.com